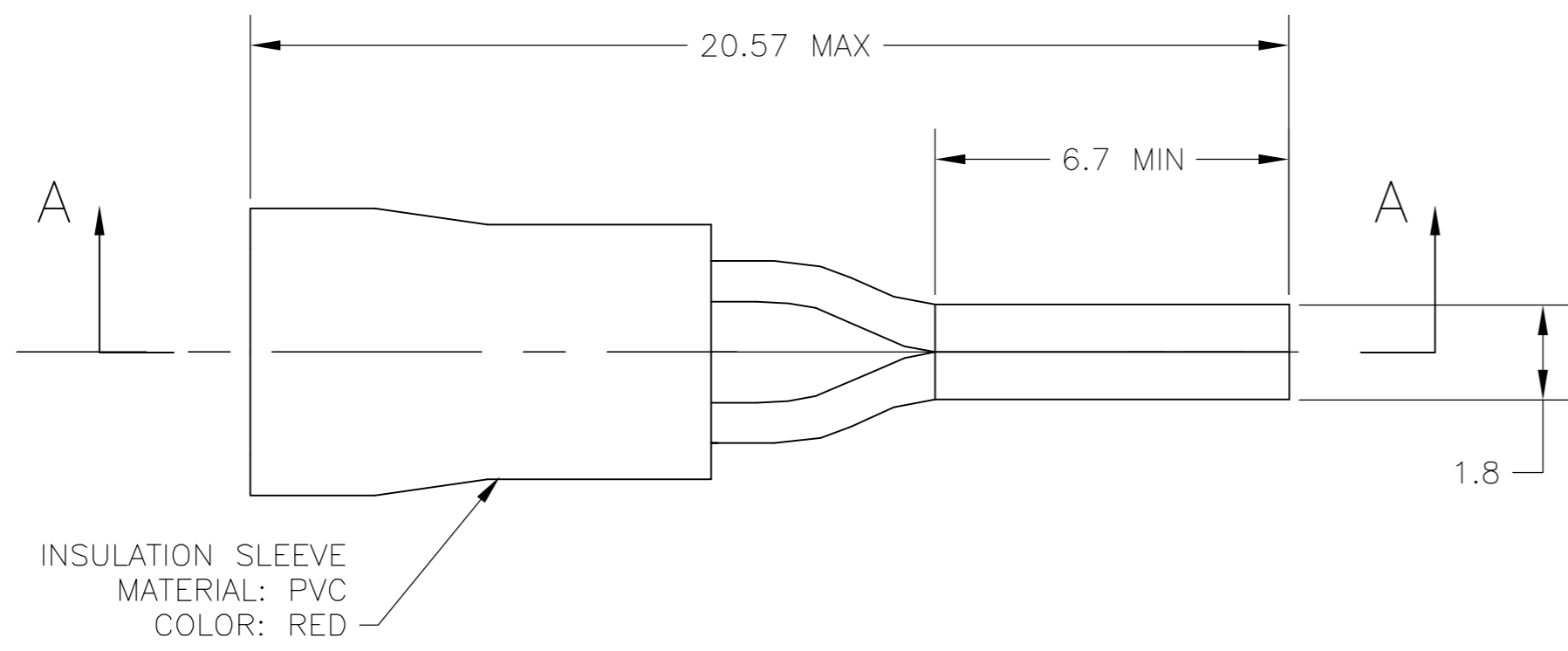


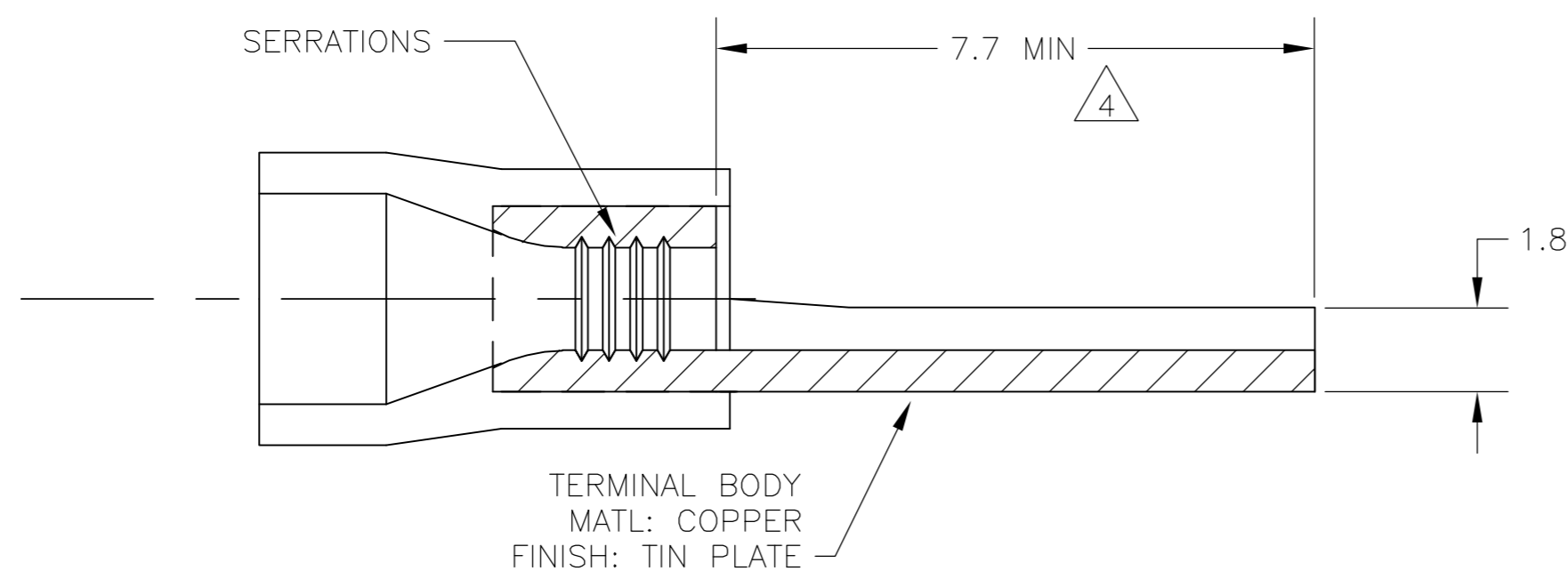
THIS DRAWING IS UNPUBLISHED. RELEASED FOR PUBLICATION
 © COPYRIGHT BY TYCO ELECTRONICS CORPORATION. ALL RIGHTS RESERVED.

LOC	DIST	REVISIONS			
P	LTR	DESCRIPTION	DATE	DWN	APVD
G	14	01	REV PER 06-002577	02FEB06	JR TM



INSULATION SLEEVE
 MATERIAL: PVC
 COLOR: RED

- 1 WIRE SIZE IS #22-#16 AWG
- 2 WIRE INSULATION DIA: 2.7 - 3.6
- 3 MATERIAL THICKNESS IS 0.8
- 4 DIMENSION APPLIES FROM EDGE OF METAL WIRE BARREL TO END OF PIN



TERMINAL BODY
 MATL: COPPER
 FINISH: TIN PLATE

SECTION A-A

PLASTIC BAG	STANDARD	1000	181630
PACKAGING	LABELLING	QTY RED	PART NO

THIS DRAWING IS A CONTROLLED DOCUMENT.		DWN jr ruth 02FEB06	Tyco Electronics Corporation Harrisburg, PA 17105-3608	
DIMENSIONS: INCHES		CHK T MICHIELUTTI 02FEB06	NAME TERMINAL, WIRE PIN, PLASTI-GRIP,	
TOLERANCES UNLESS OTHERWISE SPECIFIED:		APVD T MICHIELUTTI 02FEB06	PRODUCT SPEC -	
0 PLC ± -		APPLICATION SPEC -	SIZE A2	CAGE CODE 00779
1 PLC ± 0.5		WEIGHT -	DRAWING NO C=181630	RESTRICTED TO -
2 PLC ± -		MATERIAL -	SCALE 8:1	SHEET 1 of 1
3 PLC ± -		FINISH -	CUSTOMER DRAWING	REV 01
4 PLC ± -				
ANGLES ± 1°				

181630